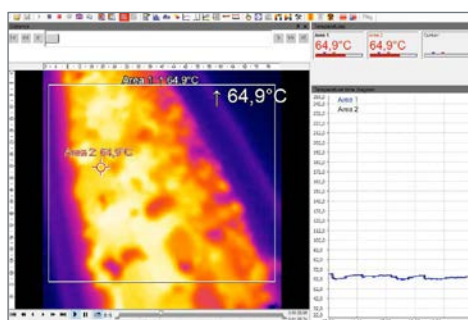


**Compact spot finder
IR camera**



Features:

- Industrial imager with 80 x 80 pixels for exact temperature measurement of -20 °C to 900 °C
- Small sized rugged camera with motorized focus
- Superb distance-to-spot-size ratio up to 190:1 with sighting capabilities
- Autonomous operation with automatic spot finder and direct analog output – ideal for OEM use
- Optional stackable industrial process interface with up to 9 analog or alarm outputs
- Extensive ready-to-use package for an attractive price – including versatile image processing software and connection cables



Monitoring conveyor belt - deployment of Xi 80 as an efficient tool for fire safety

Technical Specifications

| | |
|-----------------------------------------------|---------------------------------------------------------------------------------------------------------------------------------------------------------------------------------------------------------------------------------------------------------------------------|
| Optical resolution | 80 x 80 pixels |
| Detector | FPA, uncooled (34 µm pitch) |
| Spectral range | 8 – 14 µm |
| Temperature ranges | -20 °C ... 100 °C, 0 °C ... 250 °C, (20) 150 °C ... 900 °C ¹⁾ |
| Frame rate | 50 Hz |
| Optics (FOV) | 12° (f = 12.7 mm) 30° (f = 5.1 mm) 55° (f = 3.1 mm) 80° (f = 2.3 mm) |
| Focus | Motorized focus |
| Optical resolution (D:S) | 190:1 (12° optics) |
| Direct Output/ Input ²⁾ | 1x analog output (0/4-20 mA) / 1x input (analog or digital); electrically isolated |
| Thermal sensitivity (NETD) ³⁾ | 100 mK |
| Accuracy | ±2 °C or ±2 %, whichever is greater |
| PC interface | USB 2.0 / Ethernet (100 Mbit/s) / PoE / RS 485 ²⁾ |
| Process interface (PIF), industrial | 3x analog outputs (0/4–20 mA or 0–10 V) and 3x alarm outputs (relais) / 3x inputs (analog or digital) / fail-safe (LED and relay); stackable up to 3 PIFs; electrically isolated |
| Cable length | Ethernet / RS485: 20 m (extendable up to 100 m) USB: 1 m (standard), 3 m, 5 m |
| Ambient temperature | 0 °C ... 50 °C |
| Enclosure (size / rating) | Ø 36 mm x 90 mm (M30x1 thread) / IP 67 (NEMA 4) |
| Weight (without mounting bracket) | 201 - 210 g (depending on lens) |
| Shock ³⁾ / Vibration ³⁾ | IEC 60068-2-27 (25G and 50G) / IEC 60068-2-6 (sinus shaped), IEC 60068-2-64 (broadband noise) |
| Power supply | 5-30 V DC / PoE / USB |
| Scope of supply | <ul style="list-style-type: none"> • Process imager Xi • USB cable (1 m) • Cable for output/input (1 m) incl. terminal block • Mounting bracket with tripod thread, mounting nut • Software package optris PIX Connect |

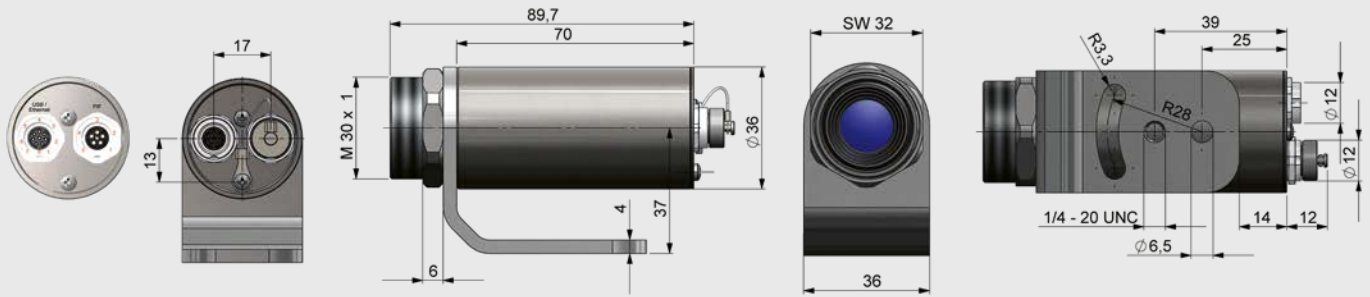
¹⁾ Accuracy statement effective from 150 °C

²⁾ Direct out- and inputs are not available while using the RS485 interface

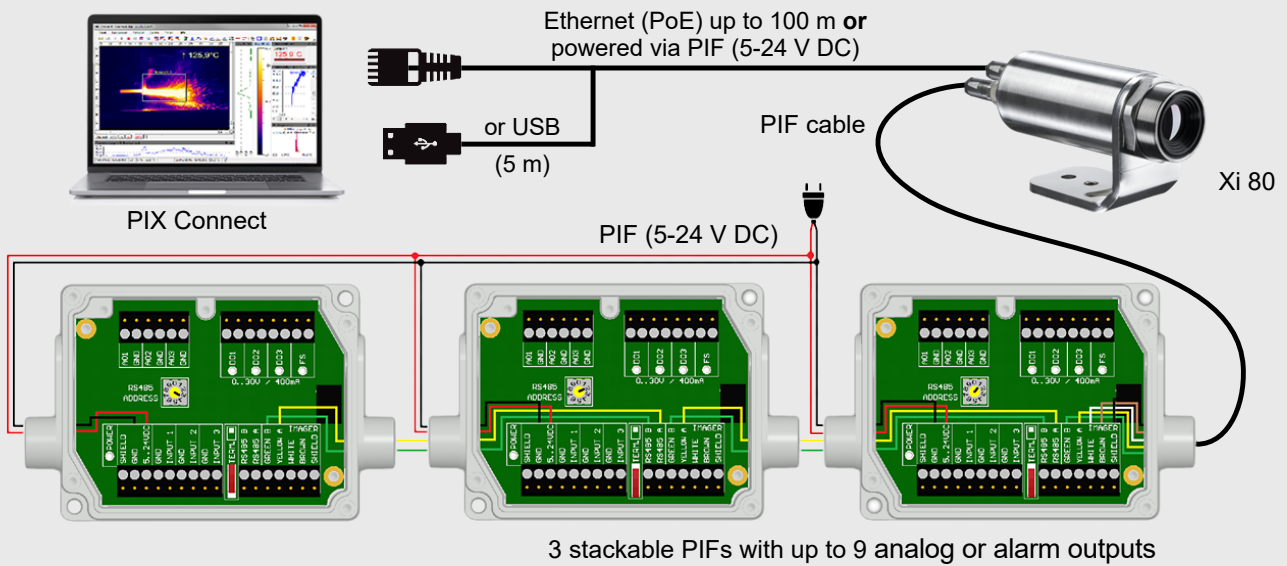
³⁾ For more details see operator's manual

optris Xi 80

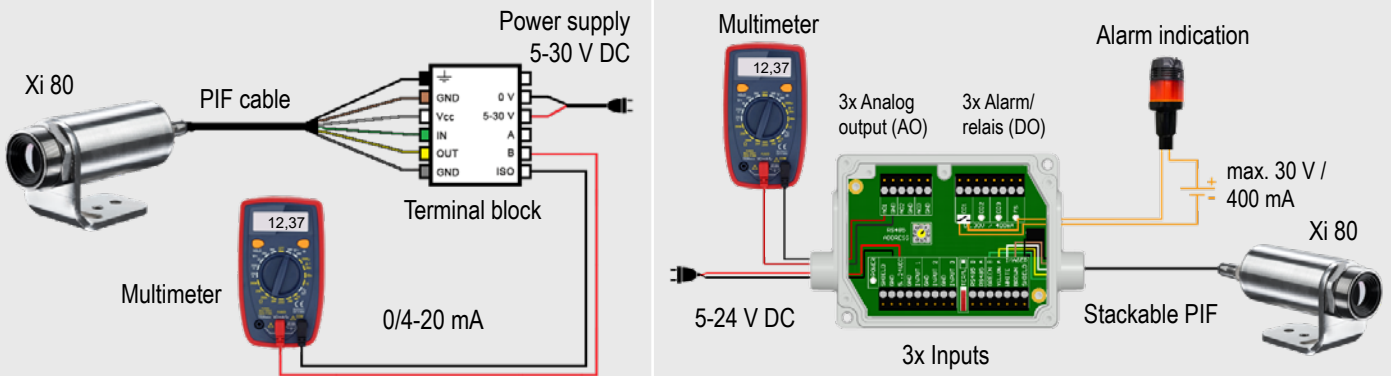
Dimensions in mm



Operation with PIX Connect software and 3 stackable PIFs



Autonomous operation (without PC) with up to 3 analog outputs/ alarm outputs



Accessories

ACXIAPL (Air purge unit) +
ACXIAPLAB (Mounting bracket)



ACXIMW (Water cooled housing)



ACXISCBxx* (Shutter) +
ACXIAPLAB (Mounting bracket)



*) xx = for different cable lengths